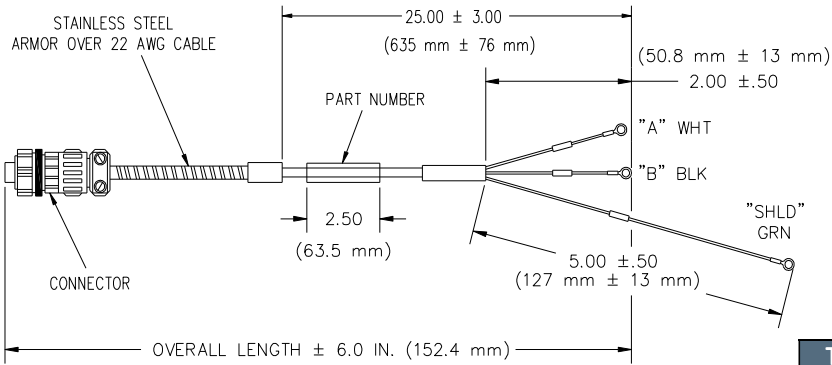


Table 1: Interconnection Cables and Accessories

APPLICATION	PART NUMBER	DESCRIPTION
†Note: AA - Specifies the length (in feet) of cable required		
Standard Interconnect Cable	9571-AA†	Shielded 0.382 mm ² (22 AWG) cable with a moisture resistant female connector at the HTVS end and ring lugs at the monitor end. Temperature range -29 to 121°C (-20 to 250°F). See Figure 5
Standard Armored Interconnect Cable	84661-AA†	Stainless steel armor over shielded 0.382 mm ² (22 AWG) cable with a moisture resistant female connector at the HTVS end and ring lugs at the monitor end. Temperature range -29 to 121°C (-20 to 250°F). See Figure 6
Right Angle Interconnect Cable	89477-AA†	Standard Armored Interconnect Cable
Short Run Interconnect Cable	122129-AA†	Shielded 0.963 mm ² (18 AWG) cable with a moisture resistant female connector at the HTVS end and ring lugs at the monitor end. Temperature range -29 to 121°C (-20 to 250°F). See Figure 8
CE Installation Interconnect Cable (**Required for CE Installations)	02173034	Shielded 0.382 mm ² (22 AWG) cable with a splash-proof boot over a female connector at the HTVS end and flush cut at the monitor end. Temperature range -55 to 125°C (-67 to 257°F). See Figure 9
0.963 mm ² (18 AWG) Bulk Cable	02173006	Shielded twisted pair. Same cable as used on 89477-AA and 122129-AA. Specify number of feet.
0.382 mm ² (22 AWG) Bulk Cable	02173007	Shielded twisted pair. Same cable as used on 9571-AA and 84661-AA. Specify the number of feet. The maximum length that should be used with the HTVS is 305 m (1000 ft)
Spare Connector	00502025	Same connector as used on 9571-AA and 84661-AA
Right Angle Connector	101212-01	Right angle connector kit. Same connector as used on 89477-AA.
330750 & 330752 Manual	135090-01	User Guide
Spare Mating Connector	00531061	Mating connector for 330750 & 330752 Velomitor System.

PART NUMBER 84661 – (SEE NOTE)



NOTE

ORDER IN INCREMENTS OF 1.0 FOOT (0.30 m)
EXAMPLE: <input type="text"/> <input type="text"/> = 3 FEET (0.91 m)
<input type="text"/> <input type="text"/> = 25 FEET (7.6 m)
MIN LENGTH = 3.0 FEET (0.91 m)
MAX LENGTH = 96 FEET (29 m)

The following are standard lengths	
Feet	Metres (approx.)
6	1.8
8	2.4
10	3.0
12	3.6
15	4.5
17	5.0
20	6.0
25	7.6
30	9.0
33	10.0
50	15.2
99	30.0

NOTE: Non-standard/custom lengths can also be ordered at additional cost

Figure 6: Standard Armored Interconnect Cable