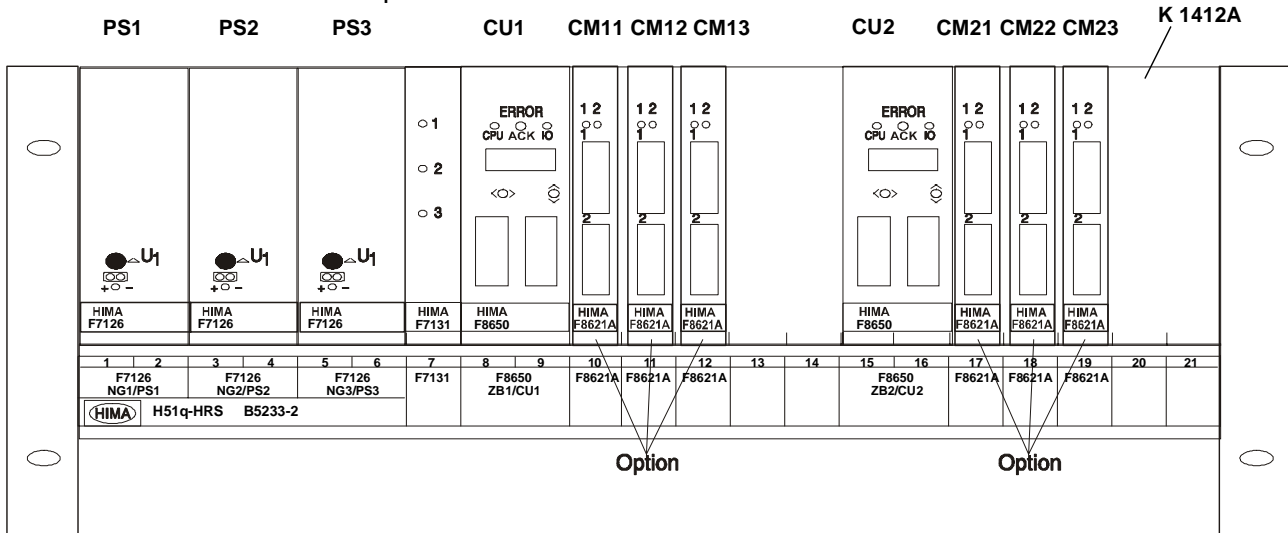




B 5233-1/-2

Assembly kit B 5233-1/-2
 System H51q-HS / B 5233-1,
 System H51q-HRS / B 5233-2,
 PES high available, TÜV-tested,
 requirement class 1 ... 6



Parts of the assembly kit B 5233-1/-2:

- 1 x K 1412A central rack, 5 units high, 19 inch, with integrated cable tray, with a hinged receptacle for the label.
- additional modules on the rear
 - 3 x Z 6011 decoupling and fusing to feed the power supply modules
 - 1 x Z 6012 fan module with fan run monitoring and fuse monitoring
 - 2 x Z 6013 decoupling and fusing of the supply voltage for the WD signal

includes the modules:

- 3 x F 7126 power supply module 24 V / 5 V, each 10 A (PS1 - PS3). The 5 V outputs of the power supply outputs are switched in parallel.
- 1 x F 7131 power supply monitoring
- 2 x F 8650 central module (CU1, CU2)
- 2 x F 7546 bus termination module (B 5233-1)
- 4 x F 7546 bus termination module (B 5233-2)
- 1 x BV 7032 data connecting cable (only B 5233-1)

modules for option (separate order)

- 6 x F 8621A Coprocessor module (CM11 - CM13, CM21 - CM23)
- 10 x F 8625 Ethernet-communication module
- 10 x F 8626 Profibus-DP-communication module

Assembly kits to be used for the I/O level:

- B 9302 I/O-rack 4 units high, 19 inch
- B 9361 additional power supply, 5 V DC, 5 units high, 19 inch

The max. current must be 18 A, if 3 x F 7126 are used to keep the system in operation even one power supply module F 7126 has failed. The total required current of the control is the summary of the consumption of the modules in the central rack and of the I/O modules. For the values of the current requirement (+5 V DC) refer to the data sheets.

The assembly kit is usable since operating system BS41q/51q V7.0-7.

Wiring of the assembly kit connections

Wirings to be done by the user (refer to "Wiring of the assembly kit, diagram"):

Supply 24 V DC

Connection	Wire and connection	Fusing	Use
XG.21/22/23:2 (L+)	rt 2,5 mm ² , Faston 6,3 x 0,8	max. 16 A gL	PS1 ... PS3
XG.21/22/23:1 (L-)	sw 2,5 mm ² , Faston 6,3 x 0,8		Reference pole

Output 5 V=

Connection	Wire and connection	Use
XG.2: +5 V	ge 2 x 2,5 mm ² , Faston 6,3 x 0,8	Supply I/O rack (B 9302)
XG.3: GND	gn 2 x 2,5 mm ² , Faston 6,3 x 0,8	Supply I/O rack (B 9302)

Output 24 V=

Connection	Wire and connection	Use
XG.24:2 (L+)	rt 1,5 mm ² , Faston 6,3x0,8	Supply fuse monitoring and IO-CON in the I/O rack
XG.25:2 (L+)	rt 1,5 mm ² , Faston 6,3x0,8	Supply fuse monitoring and IO-CON in I/O rack for the 2nd I/O bus (B 5233-2 only)

Output of the WD

Connection	Wire and connection	Use
XG.1:2 (4) und :6(8)	gr 0,5 mm ² , wire end ferrule	WD to I/O bus (B 5233-1)
XG.1:2(4) XG.1:6(8)	gr 0,5 mm ² , wire end ferrule gr 0,5 mm ² , wire end ferrule	WD to 1st I/O bus (B 5233-2) WD to 2nd I/O bus (B 5233-2) (Refer to "Wiring WD, diagram")

Connection of the monitoring loop (for fuses and fan)

Connection	Wire and connection	Fusing	Use
XG.26:4/5/6	gr 0,5 mm ² , Faston 2,8 x 0,8	max. 4 A T	Floating NO/NC contact for signalling

I/O bus, B 5233-1

Connection	Procedure
XD.1 to XD.2	Connect together with BV 7032
XD.4	Remove F 7546 and plug it on XD.2 of the last I/O rack Connect BV 7032 and plug it on XD.1 1st I/O rack

I/O bus, B 5233-2

Connection	Procedure
XD.3 and XD.4	Remove F 7546 and plug it on XD.2 of the last I/O rack of both I/O buses
XD.4	Connect BV 7032 and plug it on XD.1 of the 1st I/O rack in the 1st I/O bus
XD.3	Connect BV 7032 and plug it on XD.1 of the 1st I/O rack in the 2nd I/O bus

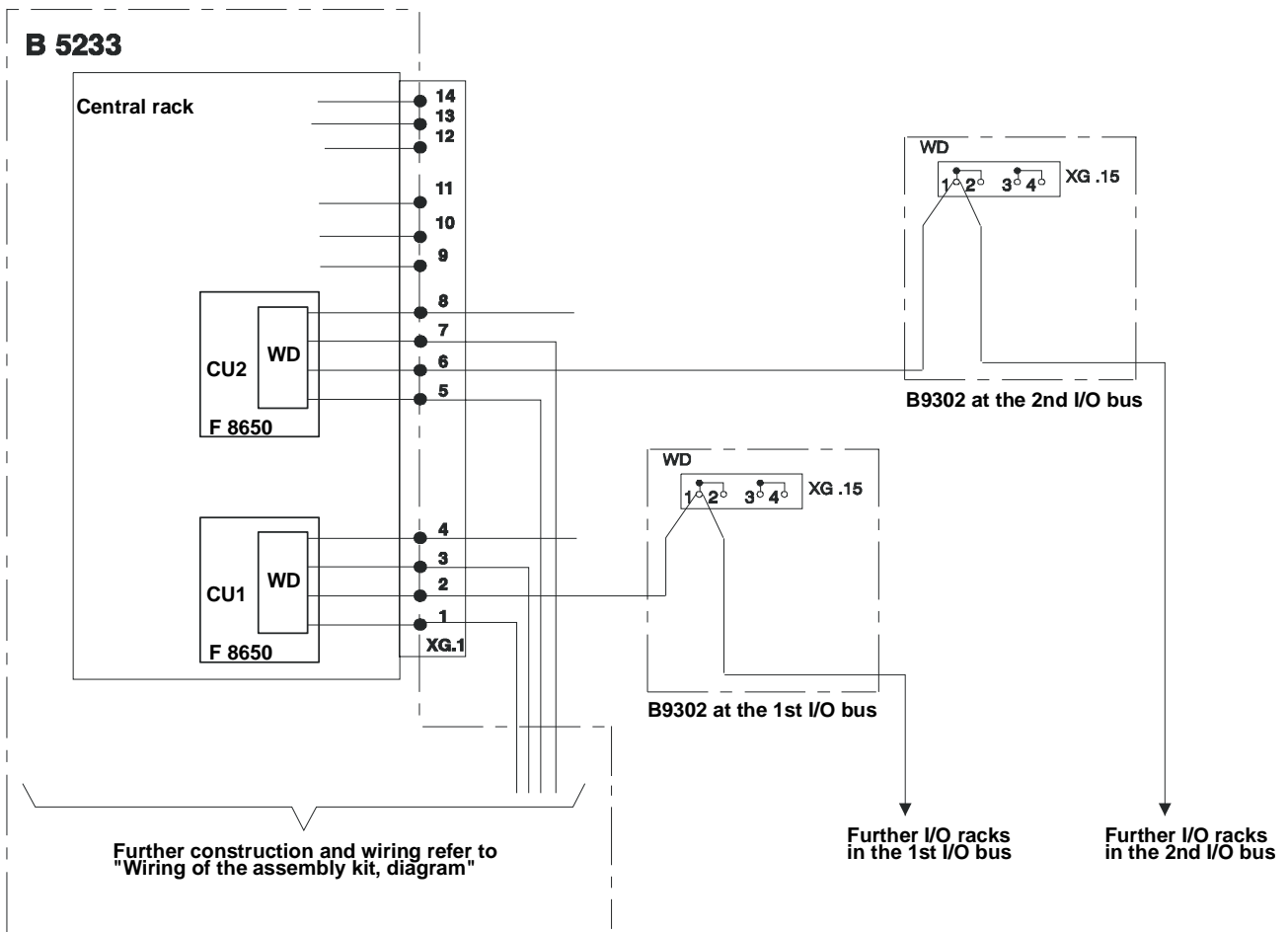
Internal fuses

Position	Size	Dimension	HIMA part no.
Z 6011	4 A T/slow	5 x 20 mm	57 0174169
Z 6013	1,6 A T/slow	5 x 20 mm	57 0174409

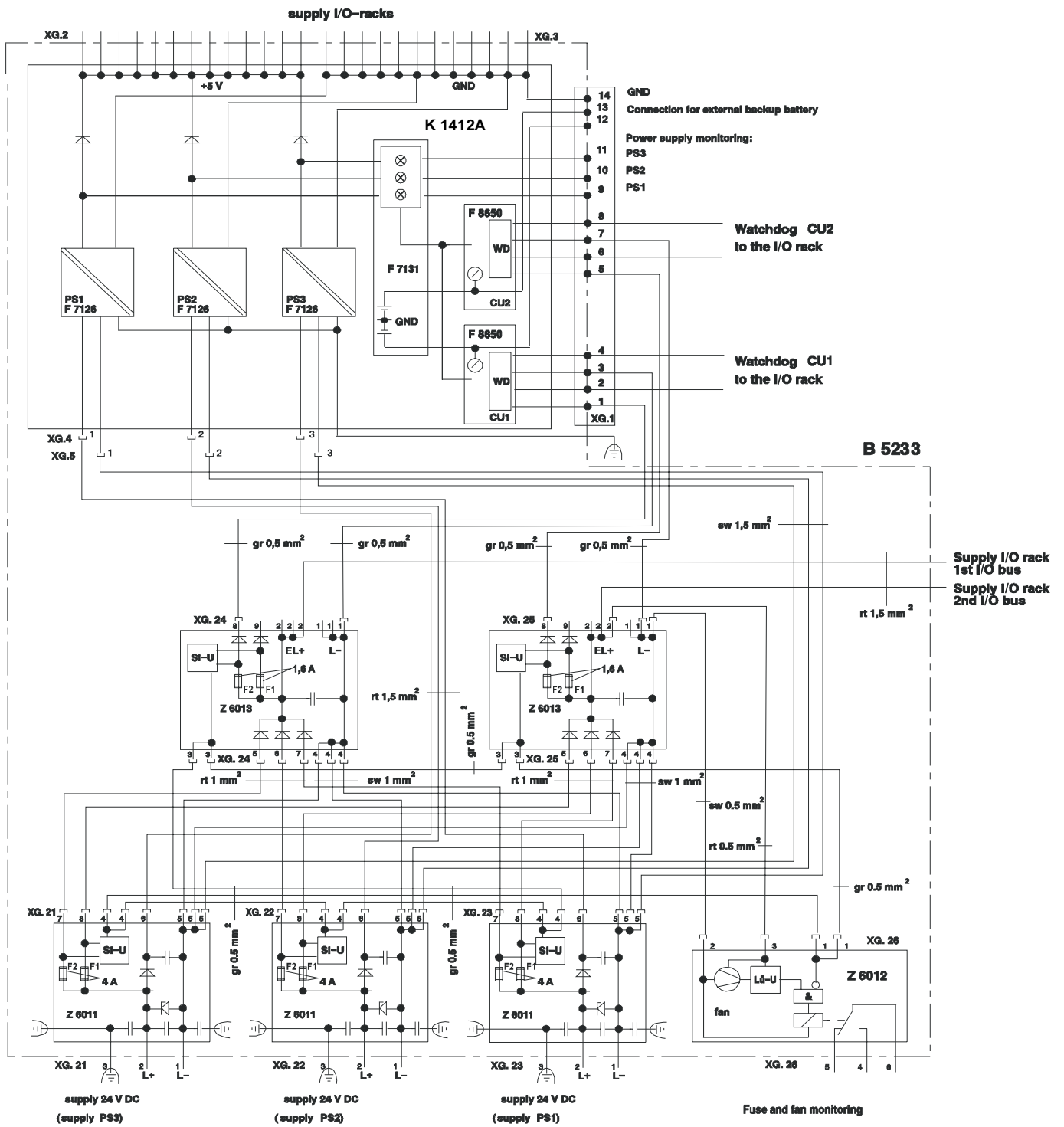
Note for earthing

With installation of the assembly kit a conductive connection to the frame or a separate earth connection has to be installed according to the EMC requirements. Connection: Faston 6,3 x 0,8 mm

Attention: Pay attention for the manufacturers information concerning detaching and replugging of the Faston connectors!

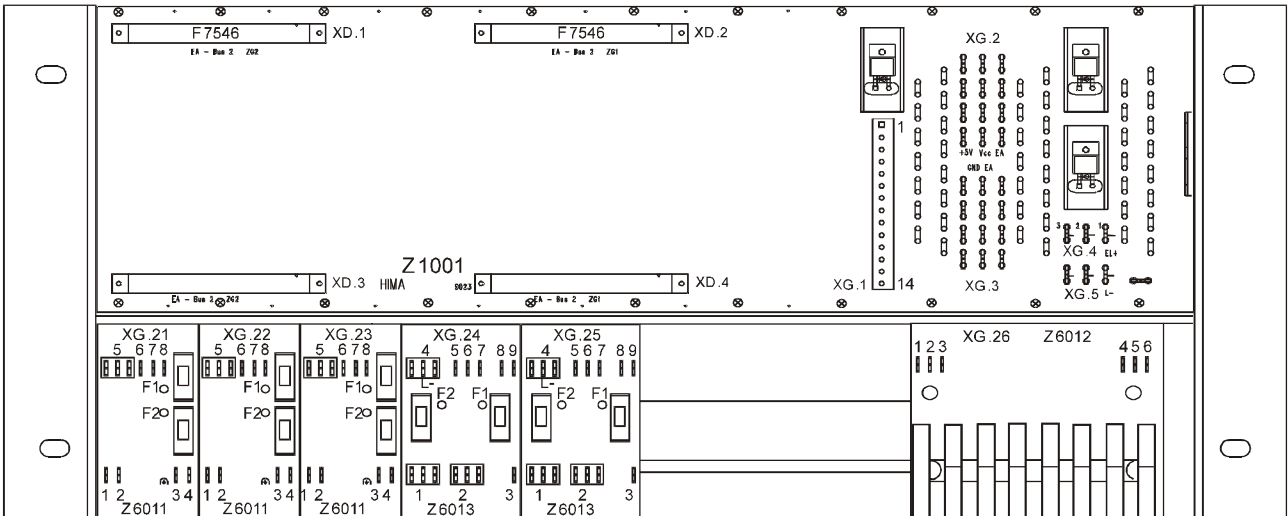


Wiring WD (only B 5233-2), diagram

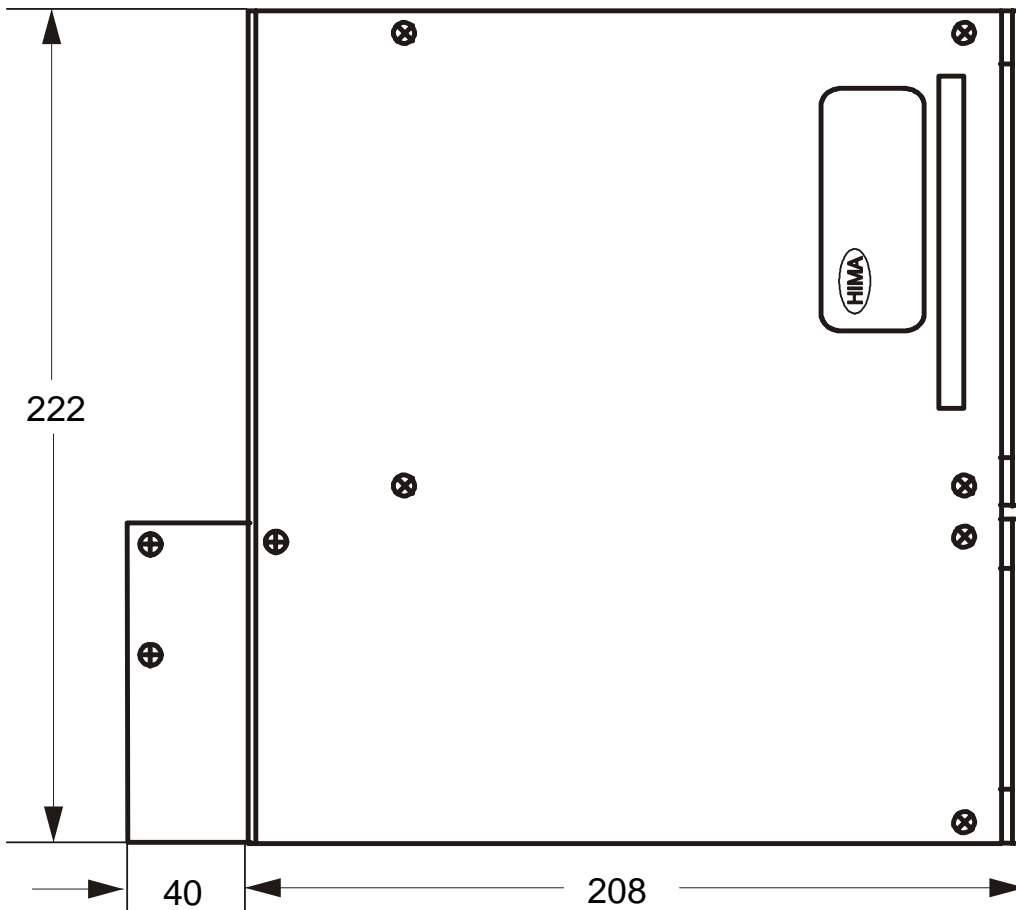


Lü-Ü = Fan monitoring
 Si-Ü = Fuse monitoring

Wiring of the assembly kit, diagram



Rear B 5233-2



Side view

For your notes